

## Bijlage B: Norm van Trelleborg

Trelleborg normering van V-ringen [12]



### V-Ring

#### ■ Dimension table - V-Ring type A

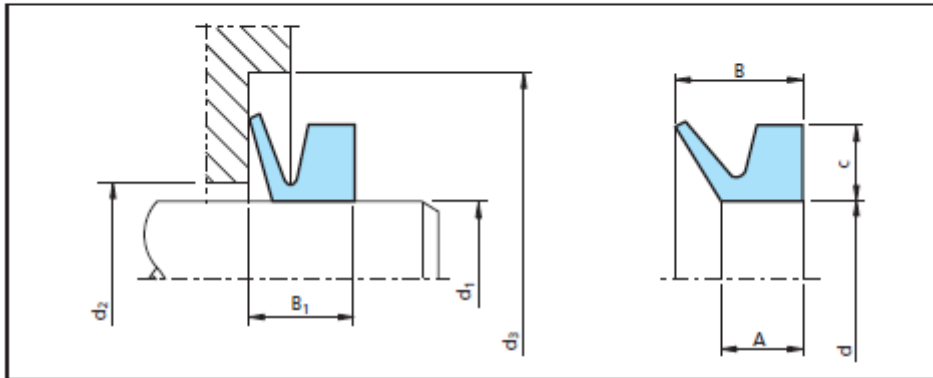


Figure 67 Installation drawing

When the shaft diameter  $d_1$  is on the boundary between two sizes of V-Ring, select the larger V-Ring.  
All dimensions in mm.

#### Ordering example

V-Ring, type A  
for shaft diameter = 30.0 mm  
Material: N6T50 (Nitrile Elastomer)

TSS Article No.	TW VA00300	-	N6T50
TSS Part No.			
Quality Index (standard)			
Material no. (standard)			
Corresponding to FORSHEDA ref. V-30A NBR510			

Table XLV Profile dimensions - assembly dimensions

For shaft diameter $d_1$	Inside dia. $d$	Height of cross-section $c$	Dimension $A$	Free width $B$	Maximum $d_2$	Minimum $d_3$	Fitted width $B_1$	V-Ring FORSHEDA Ref.	TSS Part No.
2.7 - 3.5	2.5	1.5	2.1	3.0	$d_1 + 1$	$d_1 + 4$	$2.5 \pm 0.3$	V-3A	TWVA00030
3.5 - 4.5	3.2	2	2.4	3.7	$d_1 + 1$	$d_1 + 6$	$3.0 \pm 0.4$	V-4A	TWVA00040
4.5 - 5.5	4	2	2.4	3.7	$d_1 + 1$	$d_1 + 6$	$3.0 \pm 0.4$	V-5A	TWVA00050
5.5 - 6.5	5	2	2.4	3.7	$d_1 + 1$	$d_1 + 6$	$3.0 \pm 0.4$	V-6A	TWVA00060

## V-Ring



For shaft diameter $d_1$	Inside dia. $d$	Height of cross-section $c$	Dimension $A$	Free width $B$	Maximum $d_2$	Minimum $d_2$	Fitted width $B_1$	V-Ring FORSHEDA Ref.	TSS Part No.
6.5 - 8.0	6	2	2.4	3.7	$d_1 + 1$	$d_1 + 6$	$3.0 \pm 0.4$	V-7A	TWWA00070
8.0 - 9.5	7	2	2.4	3.7	$d_1 + 1$	$d_1 + 6$	$3.0 \pm 0.4$	V-8A	TWWA00080
9.5 - 11.5	9	3	3.4	5.5	$d_1 + 1$	$d_1 + 9$	$4.5 \pm 0.6$	V-10A	TWWA00100
11.5 - 12.5	10.5	3	3.4	5.5	$d_1 + 1$	$d_1 + 9$	$4.5 \pm 0.6$	V-12A	TWWA00120
12.5 - 13.5	11.7	3	3.4	5.5	$d_1 + 1$	$d_1 + 9$	$4.5 \pm 0.6$	V-13A	TWWA00130
13.5 - 15.5	12.5	3	3.4	5.5	$d_1 + 1$	$d_1 + 9$	$4.5 \pm 0.6$	V-14A	TWWA00140
15.5 - 17	14	3	3.4	5.5	$d_1 + 1$	$d_1 + 9$	$4.5 \pm 0.6$	V-16A	TWWA00160
17.5 - 19	16	3	3.4	5.5	$d_1 + 1$	$d_1 + 9$	$4.5 \pm 0.6$	V-18A	TWWA00180
19 - 21	18	4	4.7	7.5	$d_1 + 2$	$d_1 + 12$	$6.0 \pm 0.8$	V-20A	TWWA00200
21 - 24	20	4	4.7	7.5	$d_1 + 2$	$d_1 + 12$	$6.0 \pm 0.8$	V-22A	TWWA00220
24 - 27	22	4	4.7	7.5	$d_1 + 2$	$d_1 + 12$	$6.0 \pm 0.8$	V-25A	TWWA00250
27 - 29	25	4	4.7	7.5	$d_1 + 2$	$d_1 + 12$	$6.0 \pm 0.8$	V-28A	TWWA00280
29 - 31	27	4	4.7	7.5	$d_1 + 2$	$d_1 + 12$	$6.0 \pm 0.8$	V-30A	TWWA00300
31 - 33	29	4	4.7	7.5	$d_1 + 2$	$d_1 + 12$	$6.0 \pm 0.8$	V-32A	TWWA00320
33 - 36	31	4	4.7	7.5	$d_1 + 2$	$d_1 + 12$	$6.0 \pm 0.8$	V-35A	TWWA00350
36 - 38	34	4	4.7	7.5	$d_1 + 2$	$d_1 + 12$	$6.0 \pm 0.8$	V-38A	TWWA00380
38 - 43	36	5	5.5	9.0	$d_1 + 2$	$d_1 + 15$	$7.0 \pm 1.0$	V-40A	TWWA00400
43 - 48	40	5	5.5	9.0	$d_1 + 2$	$d_1 + 15$	$7.0 \pm 1.0$	V-45A	TWWA00450
48 - 53	45	5	5.5	9.0	$d_1 + 2$	$d_1 + 15$	$7.0 \pm 1.0$	V-50A	TWWA00500
53 - 58	49	5	5.5	9.0	$d_1 + 2$	$d_1 + 15$	$7.0 \pm 1.0$	V-55A	TWWA00550
58 - 63	54	5	5.5	9.0	$d_1 + 2$	$d_1 + 15$	$7.0 \pm 1.0$	V-60A	TWWA00600
63 - 68	58	5	5.5	9.0	$d_1 + 2$	$d_1 + 15$	$7.0 \pm 1.0$	V-65A	TWWA00650
68 - 73	63	6	6.8	11.0	$d_1 + 3$	$d_1 + 18$	$9.0 \pm 1.2$	V-70A	TWWA00700
73 - 78	67	6	6.8	11.0	$d_1 + 3$	$d_1 + 18$	$9.0 \pm 1.2$	V-75A	TWWA00750
78 - 83	72	6	6.8	11.0	$d_1 + 3$	$d_1 + 18$	$9.0 \pm 1.2$	V-80A	TWWA00800
83 - 88	76	6	6.8	11.0	$d_1 + 3$	$d_1 + 18$	$9.0 \pm 1.2$	V-85A	TWWA00850
88 - 93	81	6	6.8	11.0	$d_1 + 3$	$d_1 + 18$	$9.0 \pm 1.2$	V-90A	TWWA00900
93 - 98	85	6	6.8	11.0	$d_1 + 3$	$d_1 + 18$	$9.0 \pm 1.2$	V-95A	TWWA00950
98 - 105	90	6	6.8	11.0	$d_1 + 3$	$d_1 + 18$	$9.0 \pm 1.2$	V-100A	TWWA01000
105 - 115	99	7	7.9	12.8	$d_1 + 4$	$d_1 + 21$	$10.5 \pm 1.5$	V-110A	TWWA01100
115 - 125	108	7	7.9	12.8	$d_1 + 4$	$d_1 + 21$	$10.5 \pm 1.5$	V-120A	TWWA01200
125 - 135	117	7	7.9	12.8	$d_1 + 4$	$d_1 + 21$	$10.5 \pm 1.5$	V-130A	TWWA01300
135 - 145	126	7	7.9	12.8	$d_1 + 4$	$d_1 + 21$	$10.5 \pm 1.5$	V-140A	TWWA01400



## V-Ring

For shaft diameter $d_1$	Inside dia. $d$	Height of cross-section $c$	Dimension A	Free width B	Maximum $d_2$	Minimum $d_3$	Fitted width $B_1$	V-Ring FORSHEDA Ref.	TSS Part No.
145 - 155	135	7	7.9	12.8	$d_1 + 4$	$d_1 + 21$	$10.5 \pm 1.5$	V-150A	TWVA01500
155 - 165	144	8	9.0	14.5	$d_1 + 4$	$d_1 + 24$	$12.0 \pm 1.8$	V-160A	TWVA01600
165 - 175	153	8	9.0	14.5	$d_1 + 4$	$d_1 + 24$	$12.0 \pm 1.8$	V-170A	TWVA01700
175 - 185	162	8	9.0	14.5	$d_1 + 4$	$d_1 + 24$	$12.0 \pm 1.8$	V-180A	TWVA01800
185 - 195	171	8	9.0	14.5	$d_1 + 4$	$d_1 + 24$	$12.0 \pm 1.8$	V-190A	TWVA01900
195 - 210	180	8	9.0	14.5	$d_1 + 4$	$d_1 + 24$	$12.0 \pm 1.8$	V-199A	TWVA01990
190 - 210	180	15	14.3	25.0	$d_1 + 10$	$d_1 + 45$	$20.0 \pm 4.0$	V-200A	TWVA02000
210 - 235	198	15	14.3	25.0	$d_1 + 10$	$d_1 + 45$	$20.0 \pm 4.0$	V-220A	TWVA02200
235 - 265	225	15	14.3	25.0	$d_1 + 10$	$d_1 + 45$	$20.0 \pm 4.0$	V-250A	TWVA02500
265 - 290	247	15	14.3	25.0	$d_1 + 10$	$d_1 + 45$	$20.0 \pm 4.0$	V-275A	TWVA02750
290 - 310	270	15	14.3	25.0	$d_1 + 10$	$d_1 + 45$	$20.0 \pm 4.0$	V-300A	TWVA03000
310 - 335	292	15	14.3	25.0	$d_1 + 10$	$d_1 + 45$	$20.0 \pm 4.0$	V-325A	TWVA03250
335 - 365	315	15	14.3	25.0	$d_1 + 10$	$d_1 + 45$	$20.0 \pm 4.0$	V-350A	TWVA03500
365 - 390	337	15	14.3	25.0	$d_1 + 10$	$d_1 + 45$	$20.0 \pm 4.0$	V-375A	TWVA03750
390 - 430	360	15	14.3	25.0	$d_1 + 10$	$d_1 + 45$	$20.0 \pm 4.0$	V-400A	TWVA04000
430 - 480	405	15	14.3	25.0	$d_1 + 10$	$d_1 + 45$	$20.0 \pm 4.0$	V-450A	TWVA04500
480 - 530	450	15	14.3	25.0	$d_1 + 10$	$d_1 + 45$	$20.0 \pm 4.0$	V-500A	TWVA05000
530 - 580	495	15	14.3	25.0	$d_1 + 10$	$d_1 + 45$	$20.0 \pm 4.0$	V-550A	TWVA05500
580 - 630	540	15	14.3	25.0	$d_1 + 10$	$d_1 + 45$	$20.0 \pm 4.0$	V-600A	TWVA06000
630 - 665	600	15	14.3	25.0	$d_1 + 10$	$d_1 + 45$	$20.0 \pm 4.0$	V-650A	TWVA06500
665 - 705	630	15	14.3	25.0	$d_1 + 10$	$d_1 + 45$	$20.0 \pm 4.0$	V-700A	TWVA07000
705 - 745	670	15	14.3	25.0	$d_1 + 10$	$d_1 + 45$	$20.0 \pm 4.0$	V-725A	TWVA07250
745 - 785	705	15	14.3	25.0	$d_1 + 10$	$d_1 + 45$	$20.0 \pm 4.0$	V-750A	TWVA07500
785 - 830	745	15	14.3	25.0	$d_1 + 10$	$d_1 + 45$	$20.0 \pm 4.0$	V-800A	TWVA08000
830 - 875	785	15	14.3	25.0	$d_1 + 10$	$d_1 + 45$	$20.0 \pm 4.0$	V-850A	TWVA08500
875 - 920	825	15	14.3	25.0	$d_1 + 10$	$d_1 + 45$	$20.0 \pm 4.0$	V-900A	TWVA09000
920 - 965	865	15	14.3	25.0	$d_1 + 10$	$d_1 + 45$	$20.0 \pm 4.0$	V-950A	TWVA09500
965 - 1015	910	15	14.3	25.0	$d_1 + 10$	$d_1 + 45$	$20.0 \pm 4.0$	V-1000A	TWVAX1000
1015 - 1065	955	15	14.3	25.0	$d_1 + 10$	$d_1 + 45$	$20.0 \pm 4.0$	V-1050A	TWVAX1050
1065 - 1115	1000	15	14.3	25.0	$d_1 + 10$	$d_1 + 45$	$20.0 \pm 4.0$	V-1100A	TWVAW1100
1115 - 1165	1045	15	14.3	25.0	$d_1 + 10$	$d_1 + 45$	$20.0 \pm 4.0$	V-1150A	TWVAW1150
1165 - 1215	1090	15	14.3	25.0	$d_1 + 10$	$d_1 + 45$	$20.0 \pm 4.0$	V-1200A	TWVAW1200
1215 - 1270	1135	15	14.3	25.0	$d_1 + 10$	$d_1 + 45$	$20.0 \pm 4.0$	V-1250A	TWVAW1250
1270 - 1320	1180	15	14.3	25.0	$d_1 + 10$	$d_1 + 45$	$20.0 \pm 4.0$	V-1300A	TWVAW1300
1320 - 1370	1225	15	14.3	25.0	$d_1 + 10$	$d_1 + 45$	$20.0 \pm 4.0$	V-1350A	TWVAW1350
1370 - 1420	1270	15	14.3	25.0	$d_1 + 10$	$d_1 + 45$	$20.0 \pm 4.0$	V-1400A	TWVAW1400



## V-Ring

### ■ Dimension table - V-Ring type L / LX

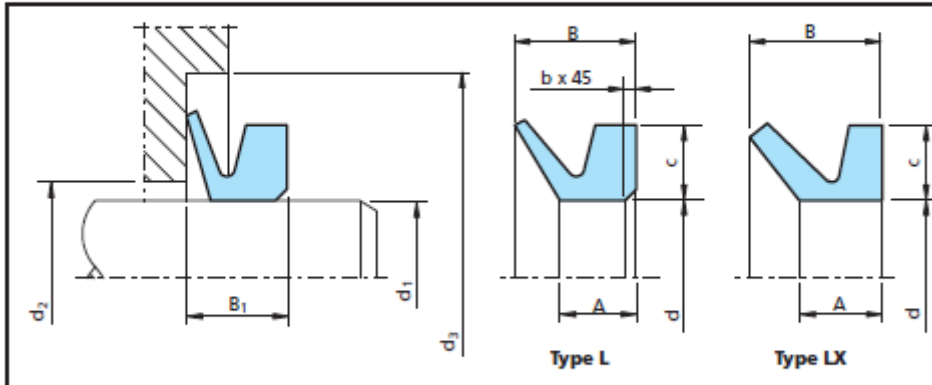


Figure 69 Installation drawing

When the dimension  $d_1$  is on the boundary between two sizes of V-Ring, select the larger V-Ring. All dimensions in mm.

Table XLVII Installation dimensions

Type	c	A	B	b	$B_1$	$d_{2 \text{ min}}$	$d_{2 \text{ max}}$
L	6.5	6	10.5	1	$8 \pm 1.5$	$d_1 + 20$	$d_1 + 5$
LX	5	5.4	8.5	0	$6.8 \pm 1.1$	$d_1 + 15$	$d_1 + 4$

#### Ordering example

**V-Ring, Type L**  
for shaft diameter = 205 mm  
Material: N6T50 (Nitrile Elastomer)

TSS Article No.	TWVL02000	-	N6T50
TSS Part No.			
Quality Index (standard)			
Material no. (standard)			
Corresponding to FORSHEDA ref. V-200L NBR510			

#### Ordering example

**V-Ring, Type LX**  
for shaft diameter = 205 mm  
Material: N6T50 (Nitrile Elastomer)

TSS Article No.	TWLXV2000	-	N6T50
TSS Part No.			
Quality Index (standard)			
Material no. (standard)			
Corresponding to FORSHEDA ref. V-200LX NBR510			

## V-Ring



**Table XLIX Profile dimensions - assembly dimensions**

For shaft diameter $d_1$	Inside diameter $d$	V-Ring FORSHEDA Ref.	TSS Part No. Type L	TSS Part No. Type LX
105 - 115	99	V-110L	TWWL01100	
115 - 125	108	V-120L	TWWL01200	
125 - 135	117	V-130L	TWWL01300	
135 - 145	126	V-140LX	TWWL01400	TWLX01400
145 - 155	135	V-150LX	TWWL01500	TWLX01500
155 - 165	144	V-160LX	TWWL01600	TWLXV1600
165 - 175	153	V-170LX	TWWL01700	TWLXV1700
175 - 185	162	V-180LX	TWWL01800	TWLXV1800
185 - 195	171	V-190LX	TWWL01900	TWLXV1900
195 - 210	182	V-200LX	TWWL02000	TWLXV2000
210 - 233	198	V-220LX	TWWL02200	TWLXV2200
233 - 260	225	V-250LX	TWWL02500	TWLXV2500
260 - 285	247	V-275LX	TWWL02750	TWLXV2750
285 - 310	270	V-300LX	TWWL03000	TWLXV3000
310 - 335	292	V-325LX	TWWL03250	TWLXV3250
335 - 365	315	V-350LX	TWWL03500	TWLXV3500
365 - 385	337	V-375LX	TWWL03750	TWLXV3750
385 - 410	360	V-400LX	TWWL04000	TWLXV4000
410 - 440	382	V-425LX	TWWL04250	TWLXV4250
440 - 475	405	V-450LX	TWWL04500	TWLXV4500
475 - 510	450	V-500LX	TWWL05000	TWLXV5000
510 - 540	472	V-525LX	TWWL05250	TWLXV5250
540 - 575	495	V-550LX	TWWL05500	TWLXV5500
575 - 625	540	V-600LX	TWWL06000	TWLXV6000
625 - 675	600	V-650LX	TWWL06500	TWLXV6500
675 - 710	630	V-700LX	TWWL07000	TWLXV7000
710 - 740	670	V-725LX	TWWL07250	TWLXV7250
740 - 775	705	V-750LX	TWWL07500	TWLXV7500
775 - 825	745	V-800LX	TWWL08000	TWLXV8000
825 - 875	785	V-850LX	TWWL08500	TWLXV8500
875 - 925	825	V-900LX	TWWL09000	TWLXV9000
925 - 975	865	V-950LX	TWWL09500	TWLXV9500
975 - 1025	910	V-1000LX	TWWL10000	TWLXV10000
1025 - 1075	955	V-1050LX	TWWL10500	TWLXV10500
1075 - 1125	1000	V-1100LX	TWWL11000	TWLXV11000
1125 - 1175	1045	V-1150LX	TWWL11500	TWLXV11500